



catrax *plus*



Catrax Plus is the most cost effective turnstile available in the market. This model stands out for being robust, versatile and highly reliable in a unique and attractive design. The unit was specially developed to ease the integration with other on-board security peripherals such as card readers, displays, keyboards, UPS/no-breaks and much more.

digicon



SPECIAL DESIGN

Catrax Plus turnstile pedestal has rounded corners and plenty of internal space to facilitate the assembly of electronic and other types of components. As access is gained by a key lock, there are no exposed screws.

SMOOTHER PASSAGE

Arms with a 90-degree passageway allow for a smooth turn and lessen the impact of the turnstile arm on patrons after each passage.

CUSTOMIZED PRODUCTS

Catrax Plus top panel is manufactured in high impact engineering plastic and is available in black, Bordeaux red and green (special colors can be optionally supplied). The stainless steel cover allows for easy, low-cost configuration, and can be customized with the customer's own brand identity. The turnstile can also be equipped with bar code or magnetic card slot readers (optional).

ACCESS PERMISSION

Catrax Plus can be configured with pictograms to inform access permission and detect direction of movement.

EASY TO INTEGRATE AND MAINTAIN

The Catrax Plus turnstile comes with a U-shaped mounting drawer that can be easily removed or replaced on the rear top panel by a key lock, thus facilitating the assembly and maintenance of electronic components.

ANTI-PANIC, DROP ARM SYSTEM

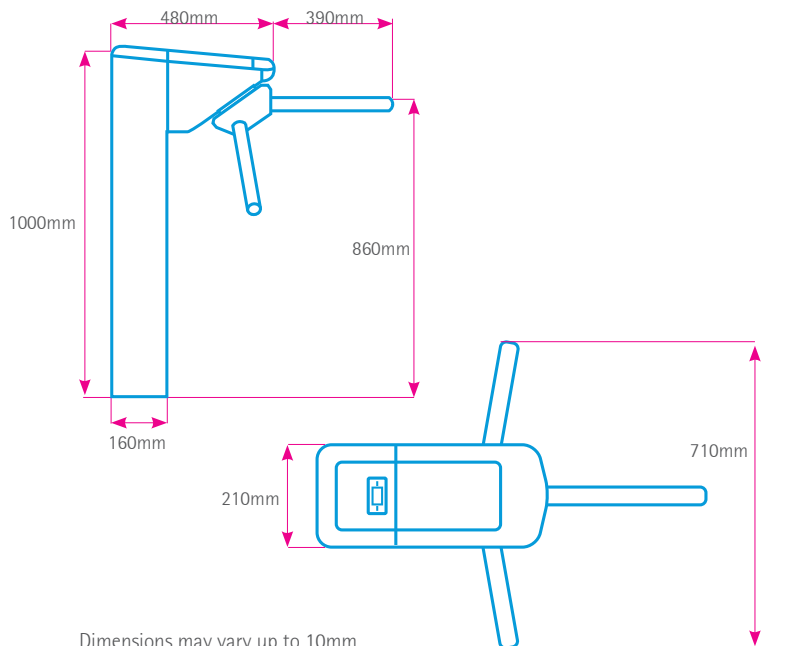
Through an anti-panic mechanism the arm drops leaving the access free. This special feature can be activated in emergency situations through a push-button, central control room or in the occurrence of a power failure. The Drop Arm Mechanism can optionally inform the system when the arm drops.

RELIABILITY AND SAFETY

Optical sensors and electromagnets are used to activate locks, thus preventing mechanical wear and increasing equipment life.



DIMENSIONS



Dimensions may vary up to 10mm.

HEADQUARTERS: Rua Nissin Castiel, 640
94045-420 • Gravataí • RS • Brazil
Phone: +55 (51) 3489.8793
OFFICE: Rua São Paulo, 82 • Alphaville
06465-130 • Barueri • SP • Brazil
e-mail: sales@digicon.com.br
www.digicon.com.br



digicon.com.br

digicon
Always on the move.



DIGICON reserves the right to modify without notice the characteristics of these equipments.

+DI.047.03-Nov/14



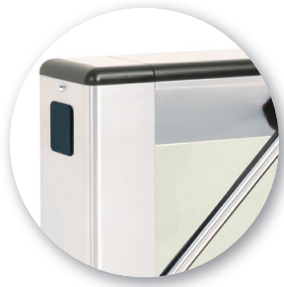
catrax

master



Catrax Master is a compact yet very robust portico type turnstile. Its unique 90° arm structure permits a true unobstructed flow of patrons. A variety of options, including a highly effective drop-arm mechanism, stainless steel and mild steel versions, lateral pictograms and much more make this the worldwide turnstile of choice for discriminating integrators. The locking mechanism is low maintenance and highly effective thanks to its solid design and the unique use of electromagnets in place of lower cost solenoids.

digicon

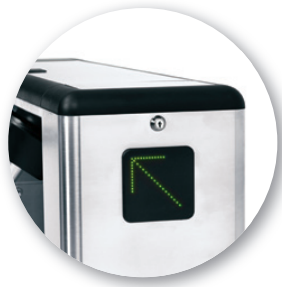


CUSTOMIZED FINISH

The turnstile is available in brushed stainless steel or mild steel with high resistance powder epoxy finish.

INTEGRATION

The Catrax line of products was designed to simplify the process of integrating the turnstile to on-board peripherals such as displays, UPS/no-breaks, card readers, control electronics. Large and easily accessible internal volumes permit loading the turnstile the specific requisites of clients.



ACCESS PERMISSION

Lateral and top side pictograms inform access and direction of permission and inform the operational status of the turnstile.

SPECIAL DESIGN

The top panel is manufactured in high impact engineering plastic, is available with a stainless steel finish, and can be customized with the customer's own brand identity. In addition, it is safer for the user, since it has rounded corners and there are no exposed screws.



SMOOTHER PASSAGE

Arms with a 90-degree passageway allow for a smooth turn and lessen the impact of the turnstile arm on patrons after each passage.

RELIABILITY AND SAFETY

Optical sensors and electromagnets are used to activate locks, thus preventing mechanical wear and increasing equipment life.

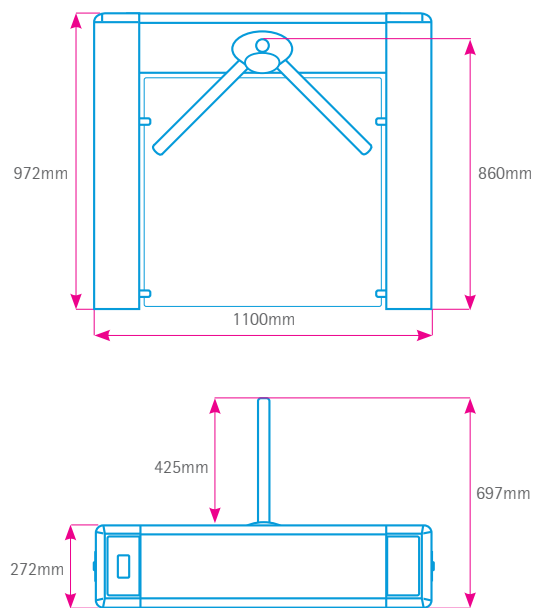


ANTI-PANIC, DROP ARM SYSTEM

Through an anti-panic mechanism the arm drops leaving the access free. This special feature can be activated in emergency situations through a push-button, central control room or in the occurrence of a power failure. The Drop Arm Mechanism can optionally inform the system when the arm drops.



DIMENSIONS



Dimensions may vary up to 10mm.

HEADQUARTERS: Rua Nissin Castiel, 640
94045-420 • Gravataí • RS • Brazil
Phone: +55 (51) 3489.8793
OFFICE: Rua São Paulo, 82 • Alphaville
06465-130 • Barueri • SP • Brazil
e-mail: sales@digicon.com.br
www.digicon.com.br



digicon.com.br

digicon
Always on the move.



DIGICON reserves the right to modify without notice the characteristics of these equipments.

+DI.049.03-Nov/14